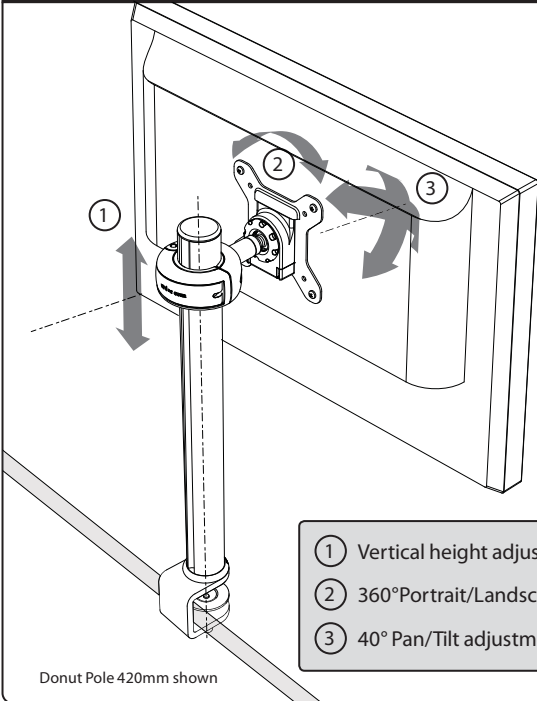


General Features



- ① Vertical height adjustment
- ② 360° Portrait/Landscape adjustment
- ③ 40° Pan/Tilt adjustment

Donut Pole 420mm shown

Display Compatibility:

Spacedec Donut Pole is compatible with most Flat Panel Displays between 12" (30cm) and 24" (61cm) that feature either 75mm x 75mm (3 x 3") or 100mm x 100mm (4 x 4") VESA mounting hole patterns

Display Weight Compatibility:

- Each Quickshift Donut supports a maximum weight of 12kg (26½lbs)
- Donut Pole 420mm supports a total of 12kg (26½lbs)
- Donut Pole 750mm supports a total of 24kg (53lbs)
- Donut Pole 1150mm supports a total of 36kg (79½lbs)

Mounting Option:

Spacedec Donut Pole Single, Double and Triple includes Bolt Through and Desk Clamp mounting options

- Desk Clamp suits desktop thicknesses from 12mm (½") - 38mm (1½")
- Bolt Through suits desktop thicknesses from 12mm (½") - 40mm (1½")

Cable Management:

Cable Slot, Cable Clips and Cable Balls (included in package)

Colour Options:

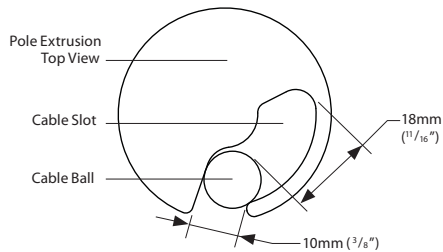
- Pole available in Matt Silver Anodised or Black Texture Powdercoat
- Quickshift Donut available in Black only

Warranty:

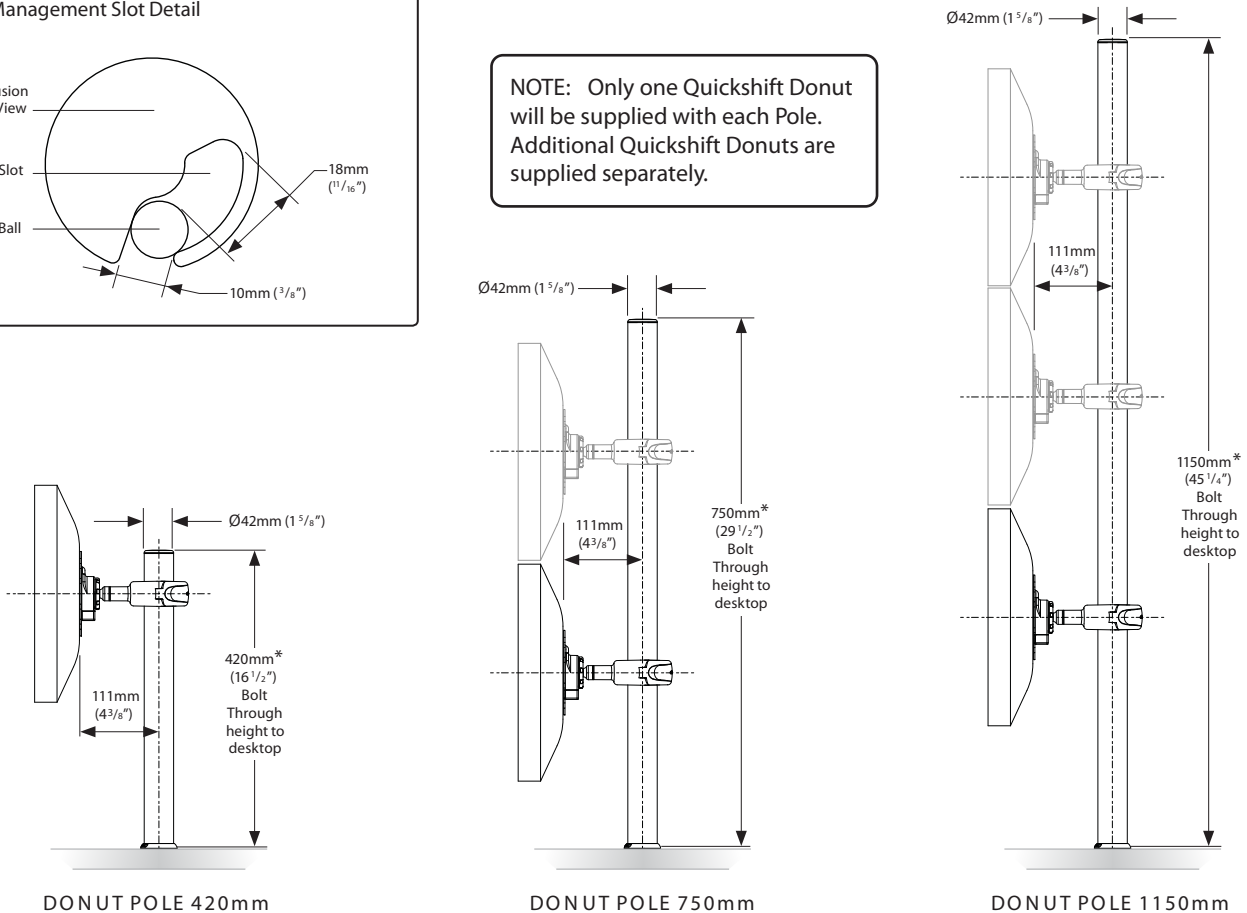
5 years limited

Overall Dimensions

Cable Management Slot Detail



NOTE: Only one Quickshift Donut will be supplied with each Pole. Additional Quickshift Donuts are supplied separately.



* The Desk Clamp mounting option increases the total height of Spacedec Donut Pole by 10mm (3/8")