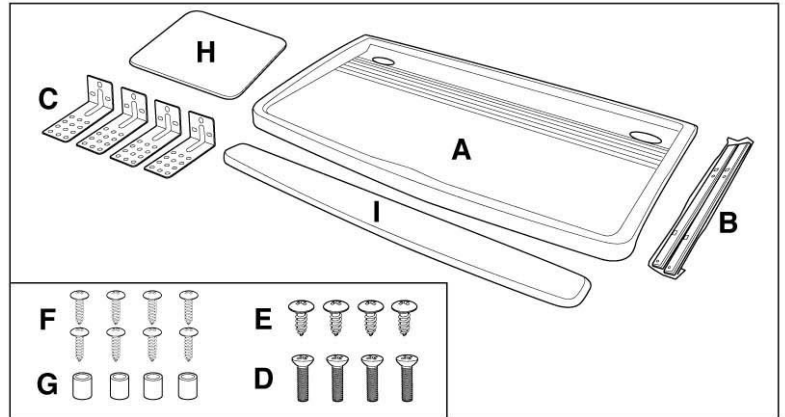
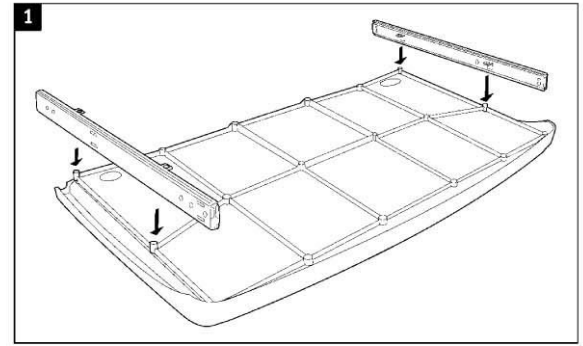


**Parts:**

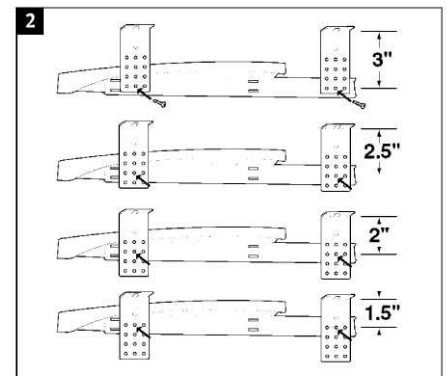
- 1 Tray (A)
- 1 Slider Set (Left and Right) (B)
- 4 Brackets (C)
- 4 Machine 5/8" Countersunk Screws (D)
- 4 Sheet Metal 1/4" Phillips Head Screws (E)
- 8 Wood 5/8" Screws (F)
- 4 1/4" Spacers (G)
- 1 Mouse Pad (H)
- 1 Wrist Rest (I)



1. Attach Sliders to Tray using Sheet Metal 1/4" Phillips Head Screws.



2. Position Brackets at desired position. Brackets are height and depth adjustable.



3. Attach Brackets to Sliders using 1/4" Spacers and Machine 5/8" Countersunk Screws.

