

Installation Instructions

VISIDEC

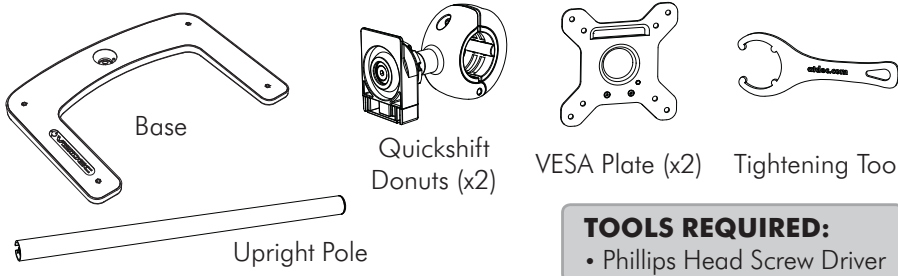
Freestanding | Double Vertical

IMPORTANT INFORMATION

- ! Each Quickshift Donut supports Flat Panel Displays from 12" (30cm) to 24" (61cm) and supports a maximum weight of 12kg (26½lbs).
- ! This product suits VESA compliant displays with 75mm x 75mm (3" x 3") and 100mm x 100mm (4" x 4") mounting hole patterns.
- ! The manufacturer does not accept responsibility for incorrect installation.

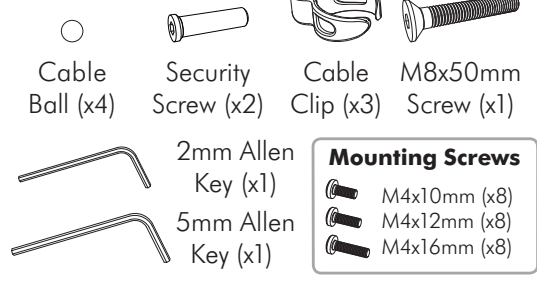
Component Checklist

Check you have received all parts against this component checklist prior to installation.



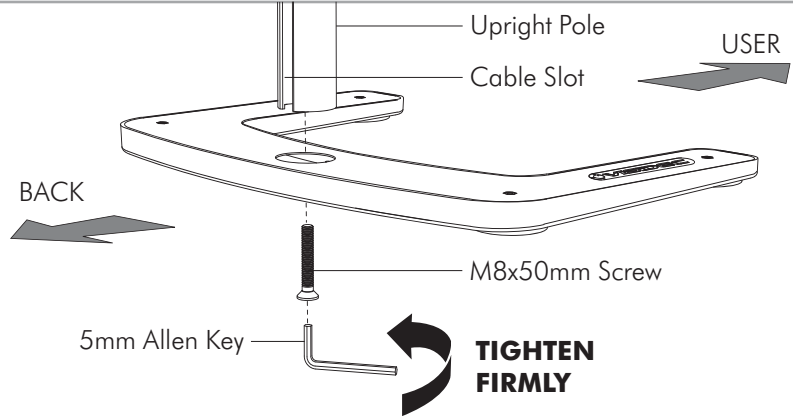
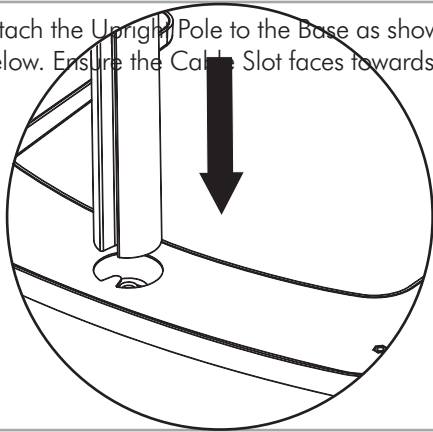
TOOLS REQUIRED:
• Phillips Head Screw Driver

Hardware



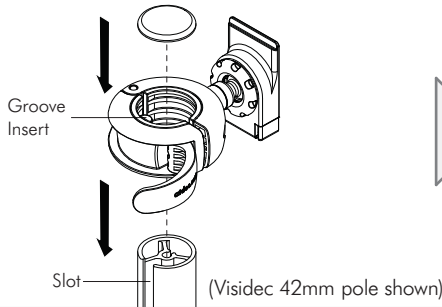
Step 1. Attach Upright Pole to Base

Attach the Upright Pole to the Base as shown below. Ensure the Cable Slot faces towards the rear.

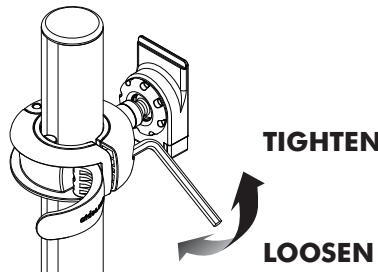


Step 2. Attach Quickshift Donuts to the Visidec Pole (Ensure the cable slot faces towards the rear)

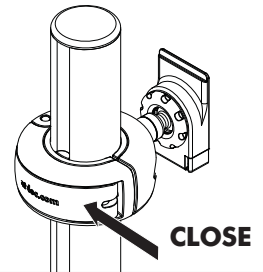
Slide the Quickshift Donut onto the Pole.



If the Quickshift Donut requires further tightening use the supplied 5mm Allen key.



Close the lever to lock the Quickshift Donut in place.

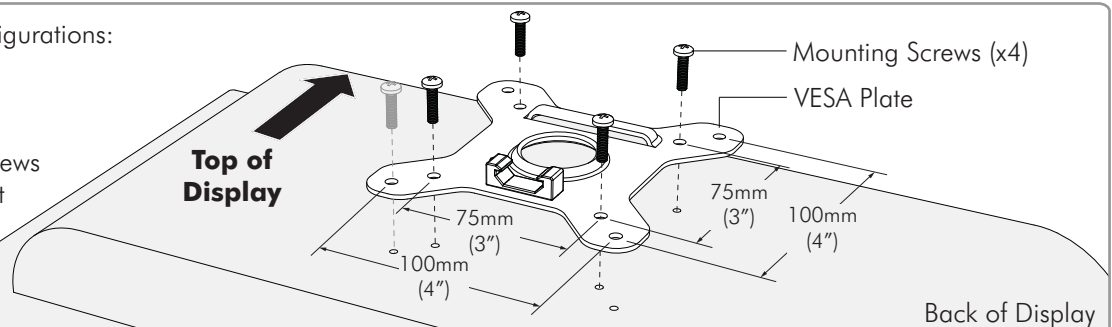


Step 3. Attach the VESA plate to your Display (Repeat Steps 3 to 6 for each Display)

There are two mounting hole configurations:

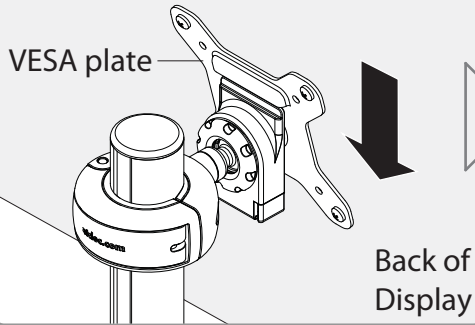
- 75 x 75mm
- 100 x 100mm

Choose appropriate Mounting Screws from the Hardware supplied to suit your Display.

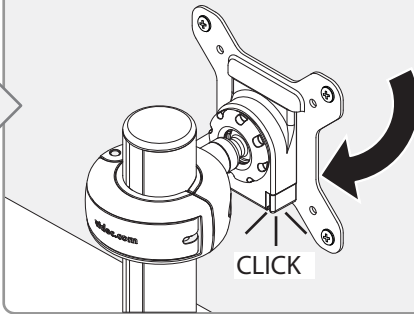


Step 4. Attach your Display to the Quickshift Donut

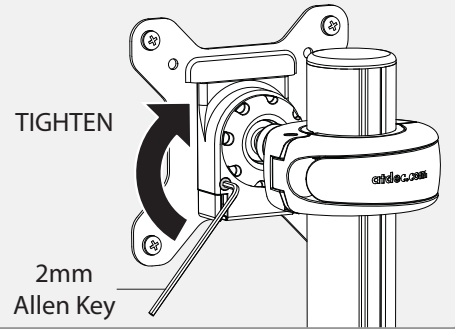
Hook the top of the VESA plate onto the Quickshift Mount.



Gently push the bottom of the Display into the Mount until you hear a 'CLICK'.

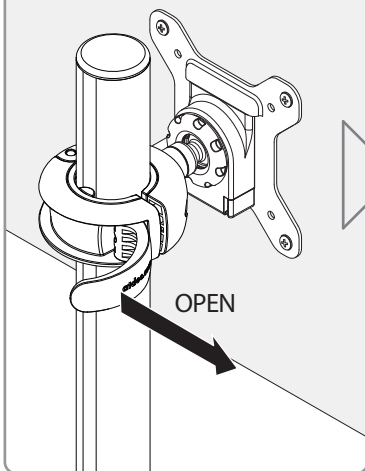


Insert the Security Screw, and tighten using the 2mm Allen Key.

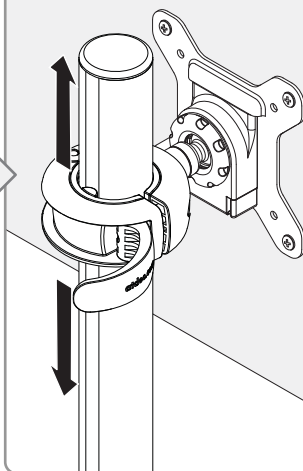


Step 5. Adjust the height of the Quickshift Donut

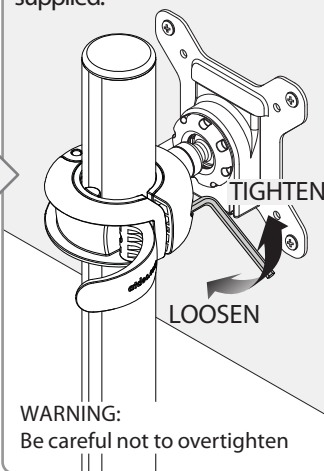
Open the lever to loosen the Quickshift Donut.



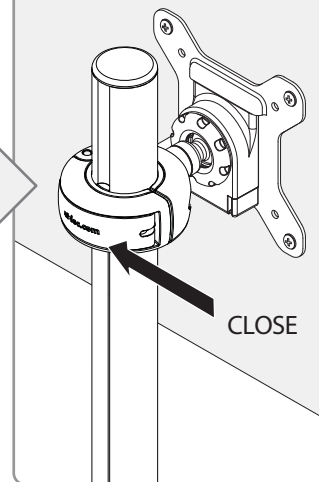
Slide the Quickshift Donut to desired position.



If necessary, adjust the tension between the Donut and the Pole using the 5mm Allen key supplied.



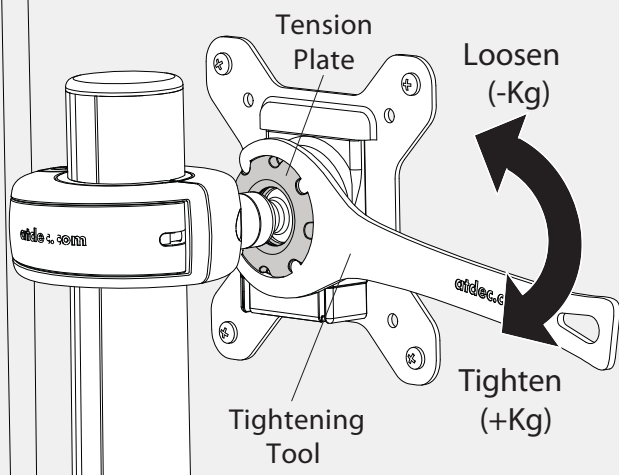
Close the lever to lock the Quickshift Donut in place.



Step 6. Adjust the VESA Ball Mount

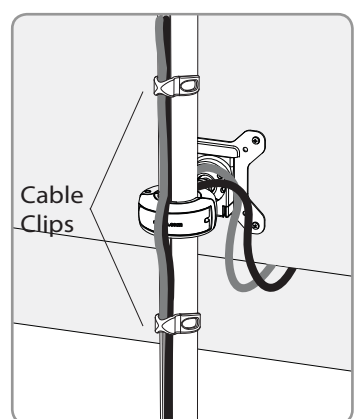
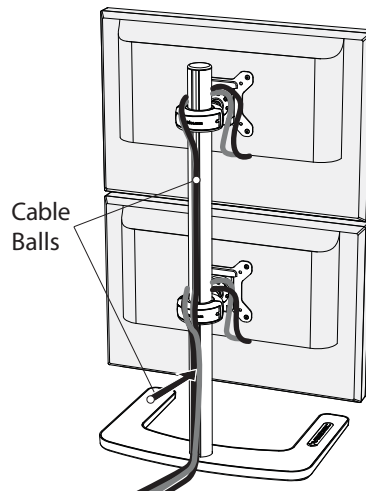
Position your Display to the desired viewing angle, using the 40° angular movement allowed by the VESA Ball Mount. If the display does not hold its position, or is too resistant, adjust the Tension Plate (see diagram below).

To make any adjustments, use the Tightening Tool supplied.



Step 7. Cable Management

Connect cables to your Displays, routing them down the rear of the pole. Push the cables into the slots, using either the Cable Balls or Cable Clips to secure them to the pole as shown.



Note: Ensure enough slack is left in cables to allow for movement. When the slot in each pole cannot be used, use the supplied Cable Clips to secure the display cables.

Installation Complete